



WORLDWIDE FASTEST, PATENTED DOT MARKING UNIT

MC2000 portable dot marking PP100x17/25 „SuperFast“

The portable dot marking unit PP100x17 is ideal for marking high quality numbers, letters, logos, 2D codes and special characters. Different materials as steel, nonferrous metal and plastic can be marked with a continuous or a single dotted line.

The menu of the control system is intuitive to use and suitable for manual operation as well as for integrated systems. Every control system is equipped with a complete numbers and letters keyboard. For operation no PC is required.

Description marking head

Short specification marking head PP100x17/25	
Weight	2.9 kg
Marking speed	Up to 16 characters/sec.
Air pressure	Max. 6 bar
Dimension of characters	0.1 – 17 / 25 mm
Marking area (directions X, Y)	100 x 17 / 25 mm
Cable length (Standard)	5 meter; optional 25 meter
Marking stylus = 64HRC	Can be resharpened
Marking force in steel	Up to 0.4 mm

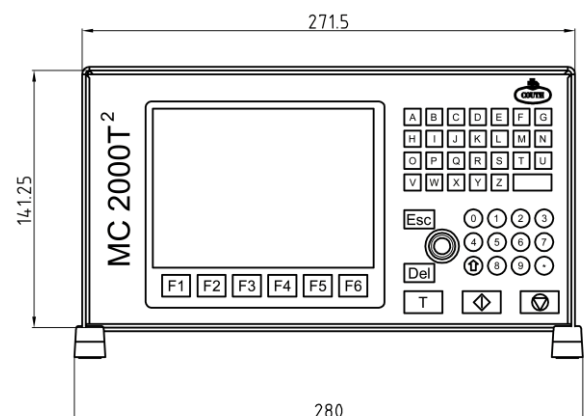
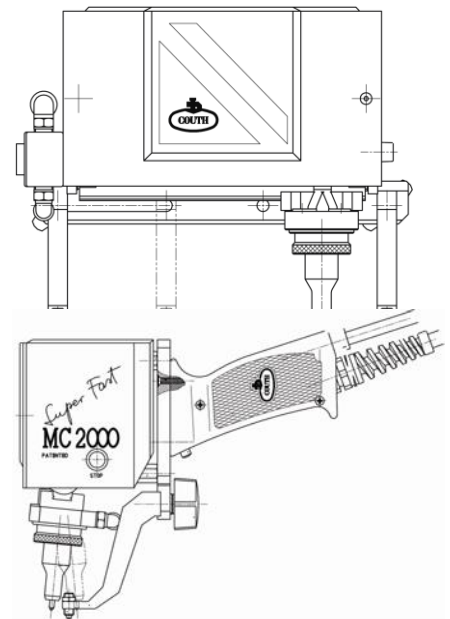
Interchangeable pneumatic marking heads	
Marking depth app. 0.4 mm	Typ N20
Marking depth app. 0.25 mm	Typ N14
Marking depth app. 0.15 mm	Typ N10
Marking depth app. 0.05 mm	Typ N7

Note:

On customer request the marking system can be equipped with an electromagnetic marking head **without extra charge**.

Description control unit MC2000T²

Short specification control unit MC2000T ²	
Weight	5.5 kg
Marking	Vectorial
Fonds	DIN 1451, Arial, 5 x 7, 2D-Code
Archiving	SD-memory card
Connection PC / PLC	RS-232, Profibus, Ethernet, Profinet
Keyboard	Internal/external (optional)
Storage	Up to 2000 files
Type of marking	Straight, oblique or arched lines etc



For a demonstration at your company please contact **0049(0)212 88179560**.

Other dot and scribe marking systems with speeds up to 16 characters/sec. and a marking force up to 0.8 mm can be found on **www.couth-butzbach.dcom**. For more information please contact our sales department.